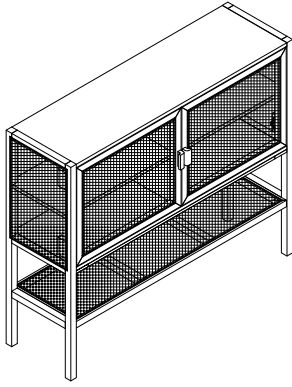
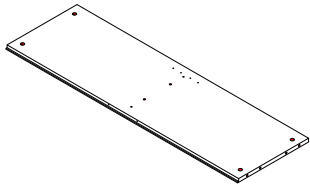
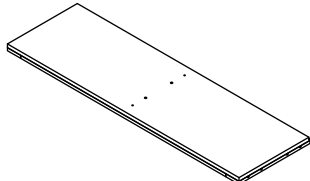
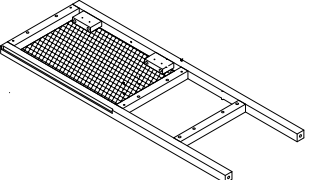
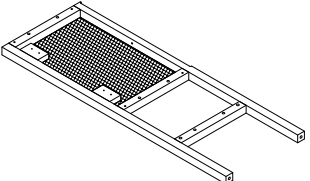
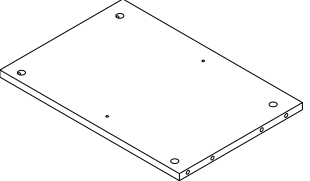
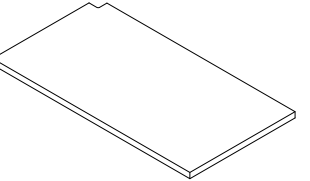


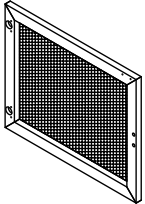
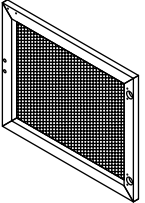
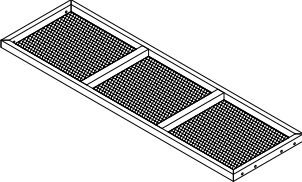
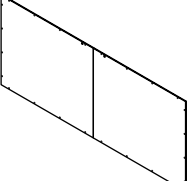
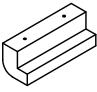



## ASSEMBLY INSTRUCTION



Product Name: **GEMNI HIGHBOARD - LARGE - BLACK**

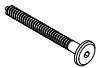
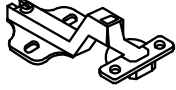

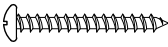

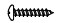
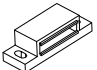
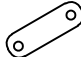
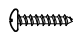


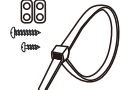
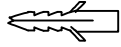
<b>PART LIST</b>			
<b>Before you begin, please layout all parts and ensure you have the correct count.</b>			
PART	DESCRIPTION	QUANTITY	ILLUSTRATION
1	TOP PANEL	1	
2	BOTTOM PANEL ASSY	1	
3	RIGHT SIDE FRAME ASSY	1	
4	LEFT SIDE FRAME ASSY	1	
5	MIDDLE PANEL	1	
6	ADJUSTABLE SHELF PANEL	2	

**PART LIST****Before you begin, please layout all parts and ensure you have the correct count.**

PART	DESCRIPTION	QUANTITY	ILLUSTRATION
7	RIGHT DOOR ASSY	1	
8	LEFT DOOR ASSY	1	
9	SHELF FRAME ASSY	1	
10	BACK PANEL	1	
11	DOOR HANDLE	2	
A	MINIFIX HOUSING	12	
B	MINIFIX BOLT	12	
C	WOOD DOWEL (Ø8X30)	16	

**PART LIST**

**Before you begin, please layout all parts and ensure you have the correct count.**

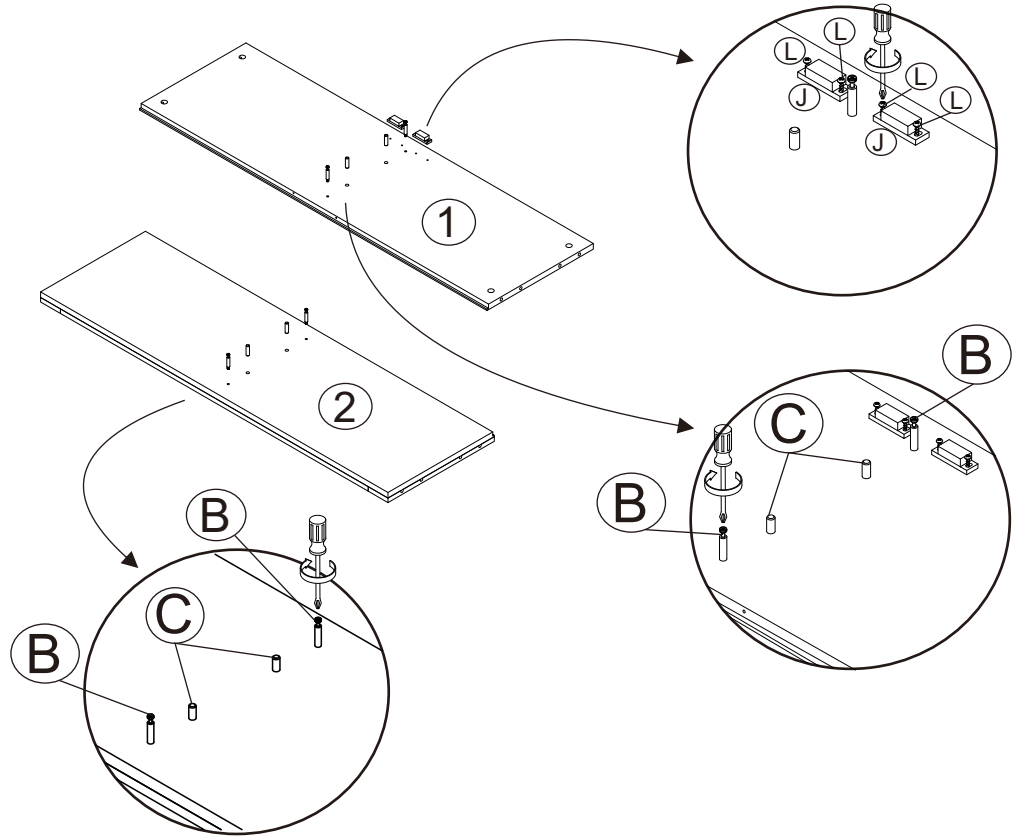
PART	DESCRIPTION	QUANTITY	ILLUSTRATION
D	JCBC (M6 x 40MM)	4	
E	SPOON HINGE	4	
F	JF SCREW (Ø6X16MM)	16	
G	JP SCREW (Ø8 X 25MM)	4	
H	PIN SHELF	8	
I	JP SCREW (Ø6X12MM)	24	
J	MAGNETIC CATCHES	2	
K	PLAT CATCHES	2	
L	JP SCREW (Ø6X16MM)	4	
M	JF SCREW (Ø6X12MM)	4	
N	ALLEN KEY M4	1	
O	TIPPING HARDWARE	2	
P	FISCHER	2	

# ASSEMBLY INSTRUCTIONS

STEPS

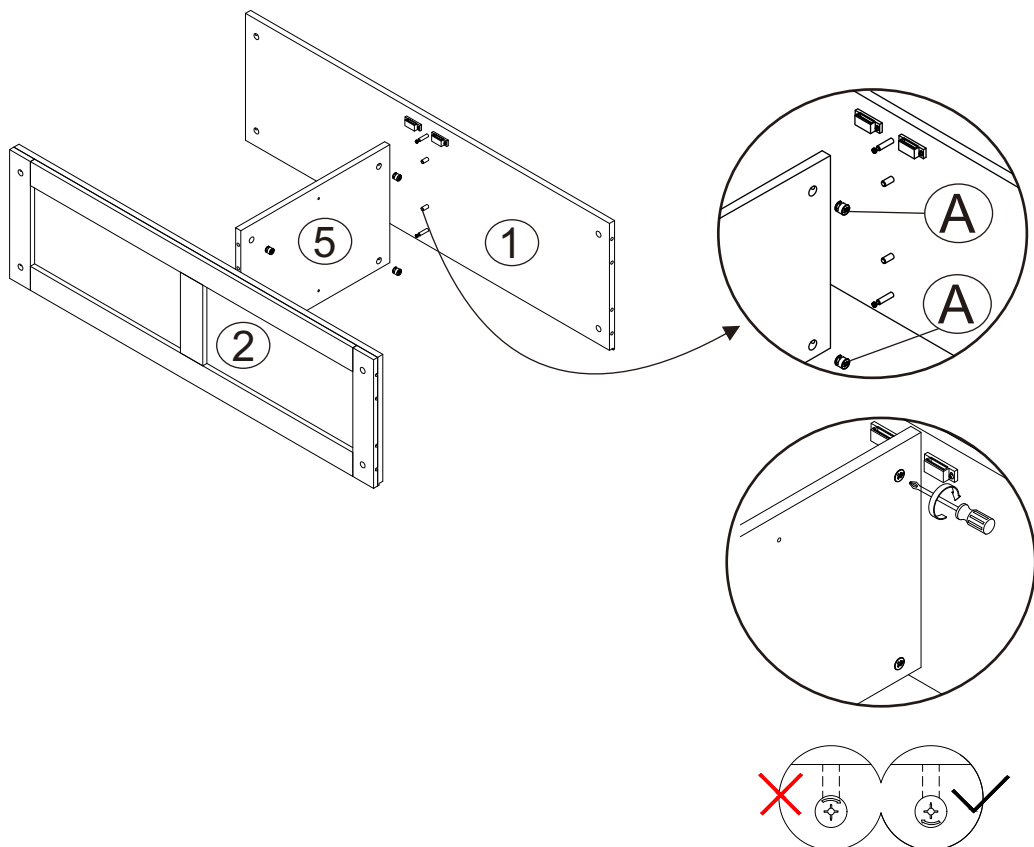
ILLUSTRATION

1



Attach Minifix Bolt (B) and Wood Dowel (C) to Top Panel (1) , Bottom Panel (2). After that attach Magnetic Catches (J) to Top Panel (1) using Screw (L) tighten with manual Screw Driver (not included).

2

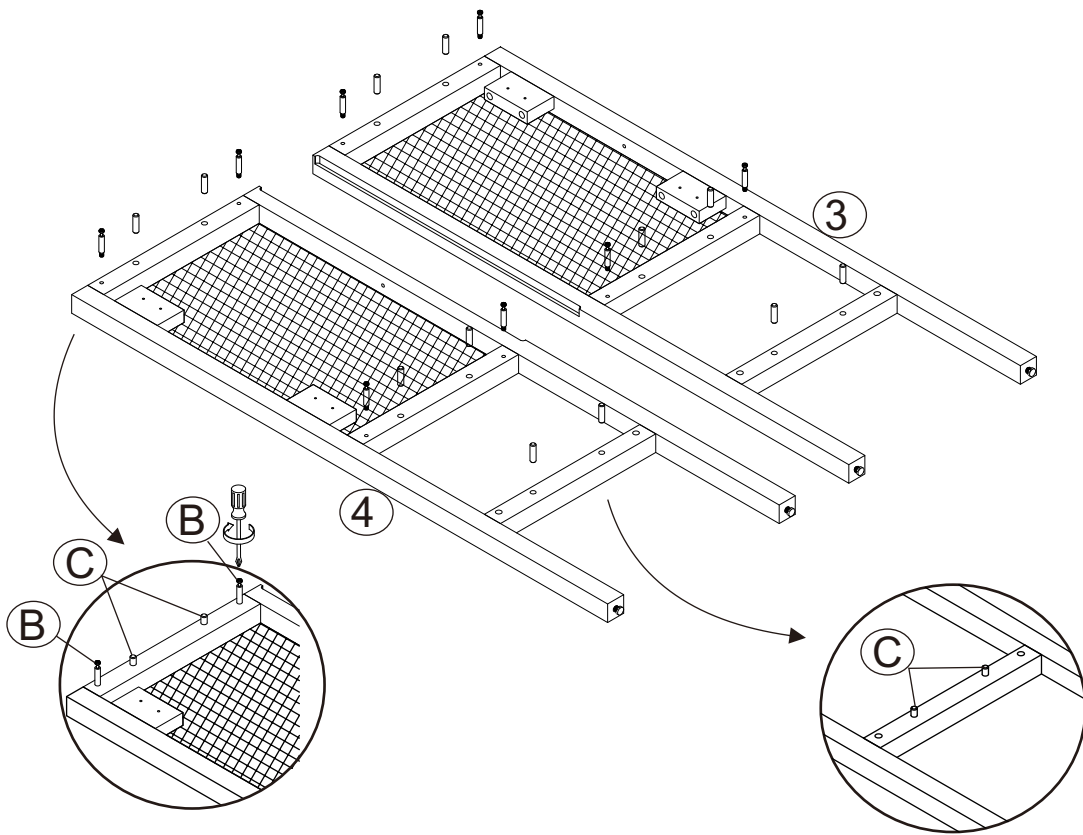


Assembly part (5) , part (1) and part (2) using Minifix Housing (A).

# ASSEMBLY INSTRUCTIONS

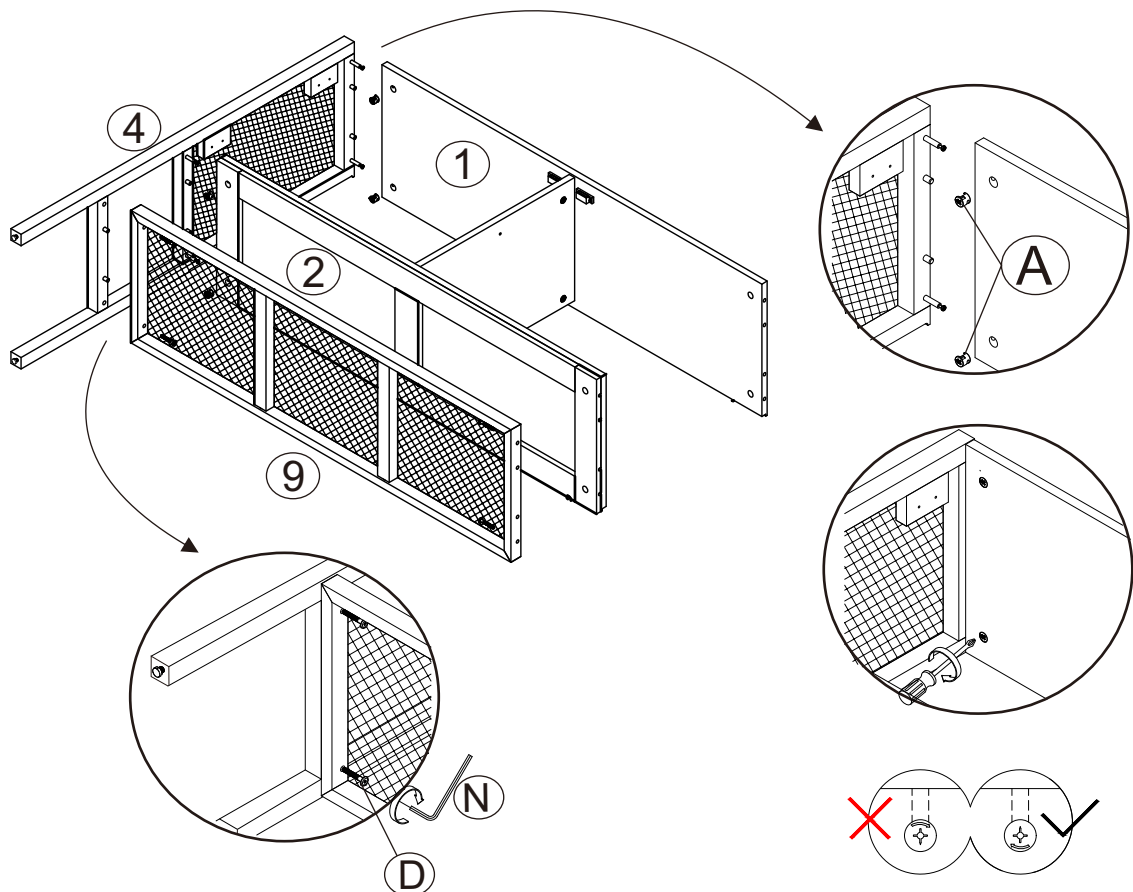
STEPS	ILLUSTRATION
-------	--------------

3



Attach Minifix Bolt (B) and Wood Dowel (C) to right and left Side Frame Assy (3&4).

4



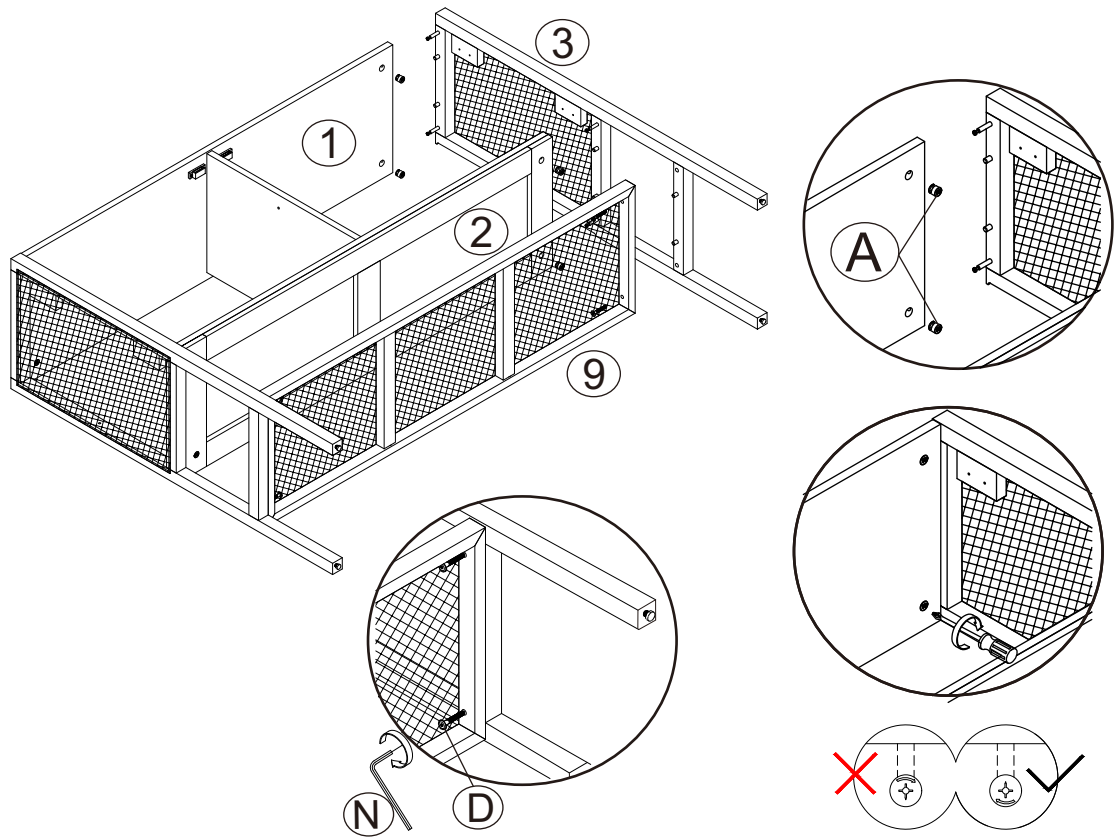
Assembly part (4) into part (1,2 and 9) use Minifix Housing (A) and JCBC Bolt (D) tighten using manual Screw Driver and Allen Key (N).

# ASSEMBLY INSTRUCTIONS

STEPS

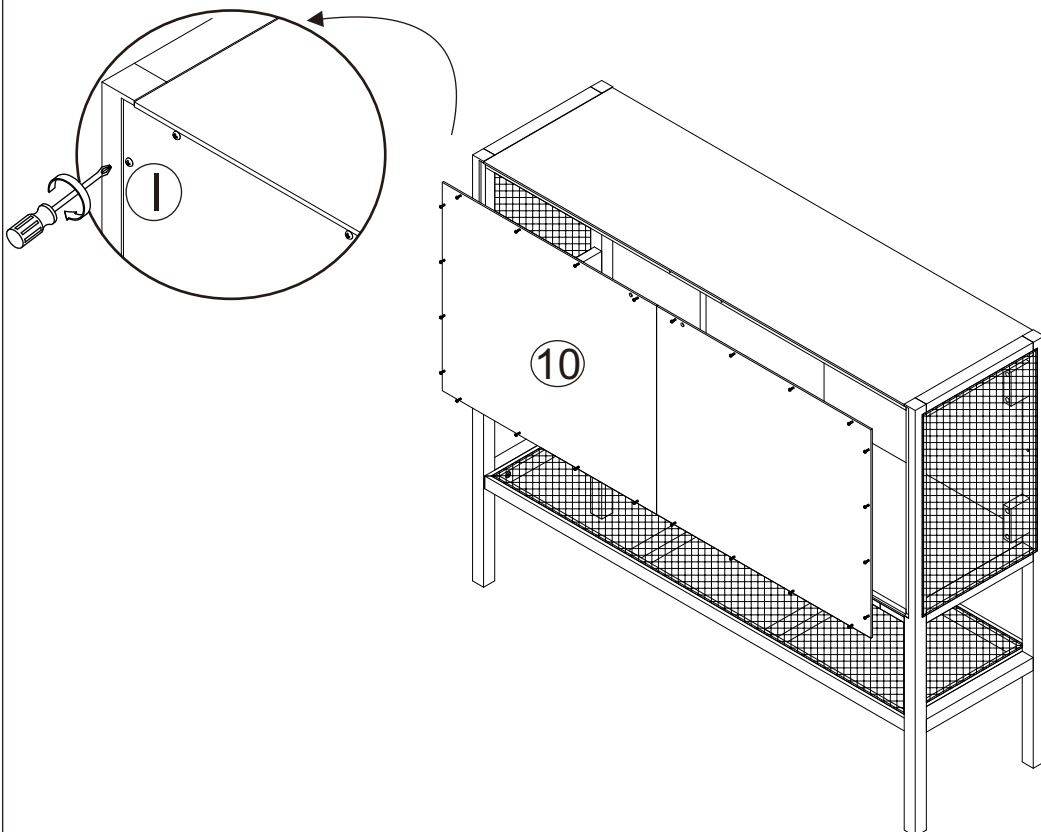
ILLUSTRATION

5



Assembly part (3) into part (1,2 and 9) use Minifix Housing (A) and JCBC Bolt (D) tighten using manual Screw Driver and Allen Key (N).

6



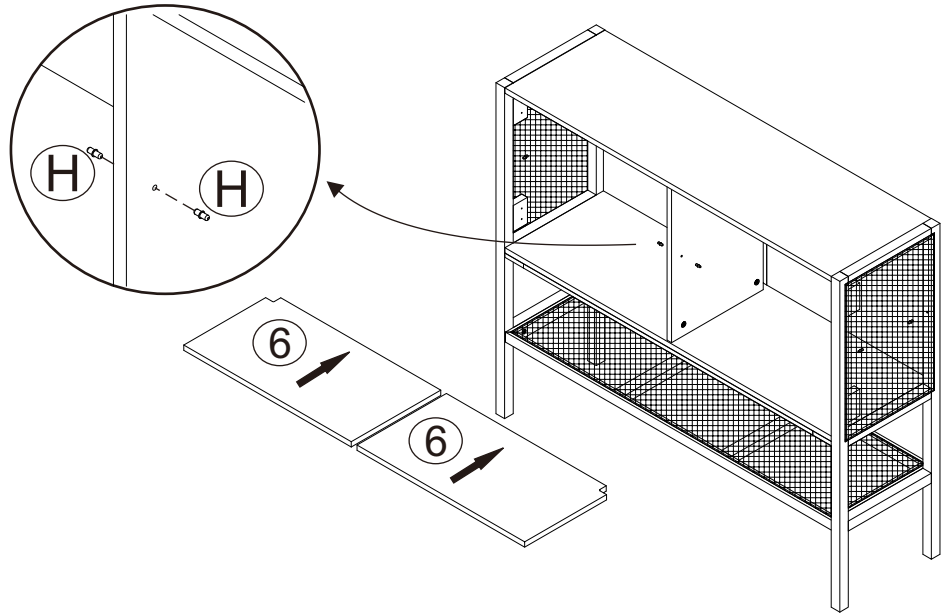
Assembly Back Panel (10) to Cabinet using Screw (I).

# ASSEMBLY INSTRUCTIONS

STEPS

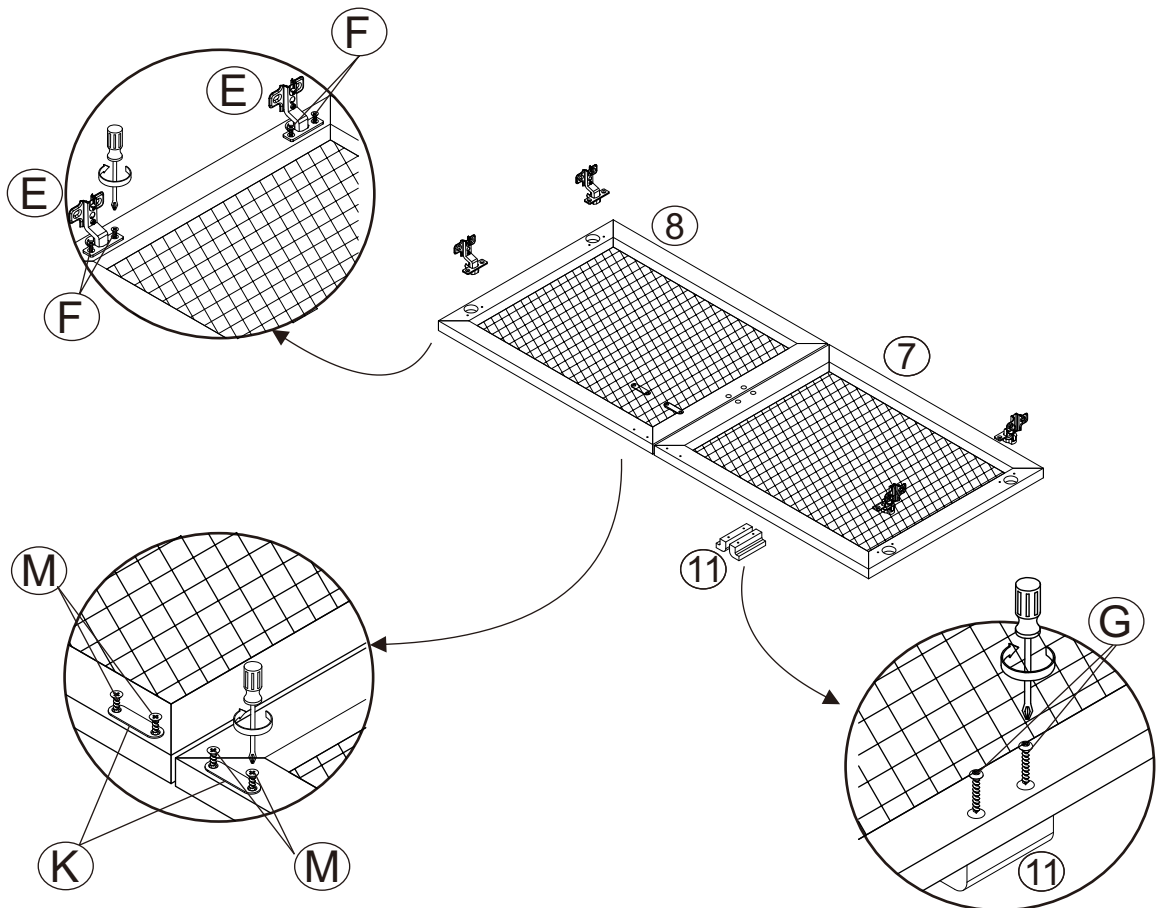
ILLUSTRATION

7



Attach Shelf Pin (H) to Cabinet then put Adjustable Shelf Panel (6) into Cabinet

8



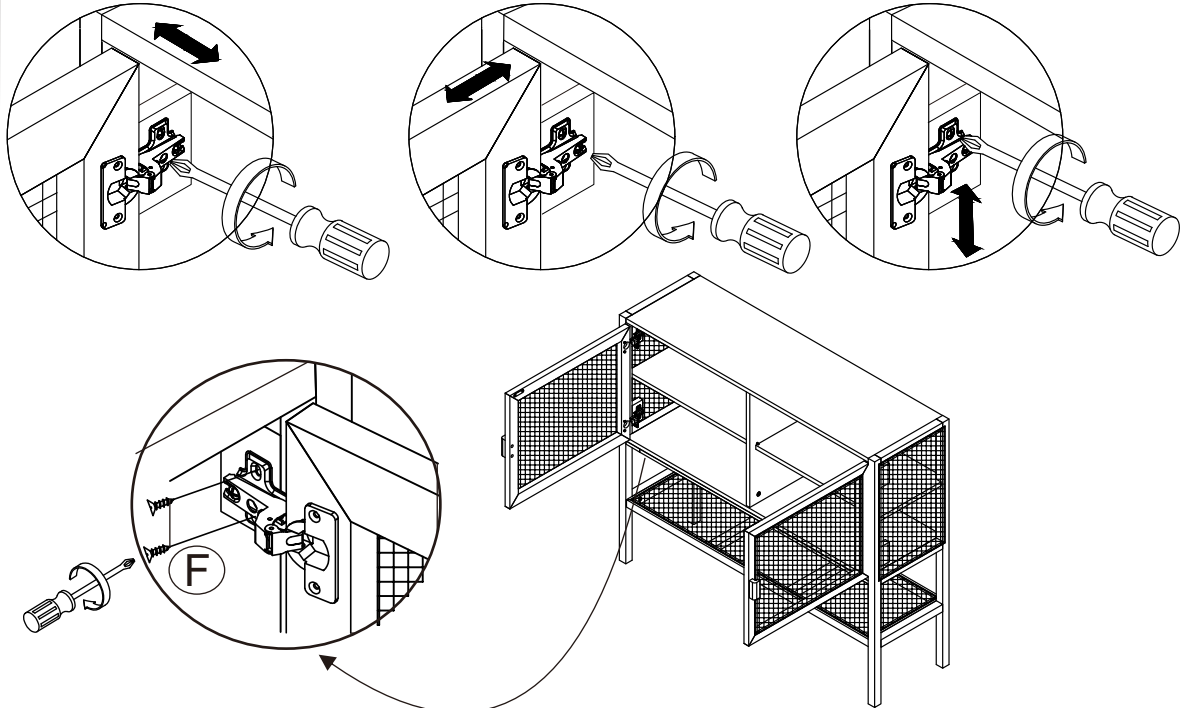
Attach Latch (K) to Door (7&8) then fix it using Screw (M). After that attach Handle (11) to Door (7&8) then fix it using Screw (G). Then attach Spoon Hinge (E) then fix using Screw (F)

# ASSEMBLY INSTRUCTIONS

STEPS

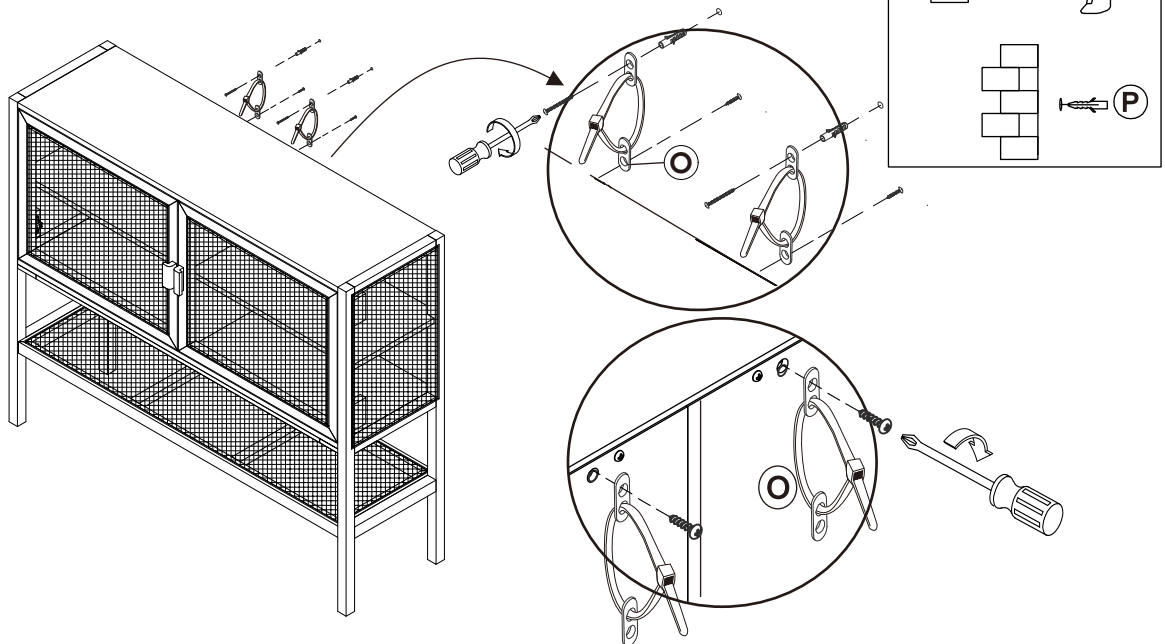
ILLUSTRATION

9



Attach Spoon Hinge (E) to cabinet then assembly by using screw (F).  
 use front middle crew on Hinge will adjust your door to the left and right  
 use back middle screw on Hinge will adjust your door forward and backward  
 use screw on Hinge base will adjust your door up and down.

10



Attach anti tipping hardware (O). This item should be attached to the wall.  
**(It is important to sink your screws into a wall stud or use drywall anchor)**

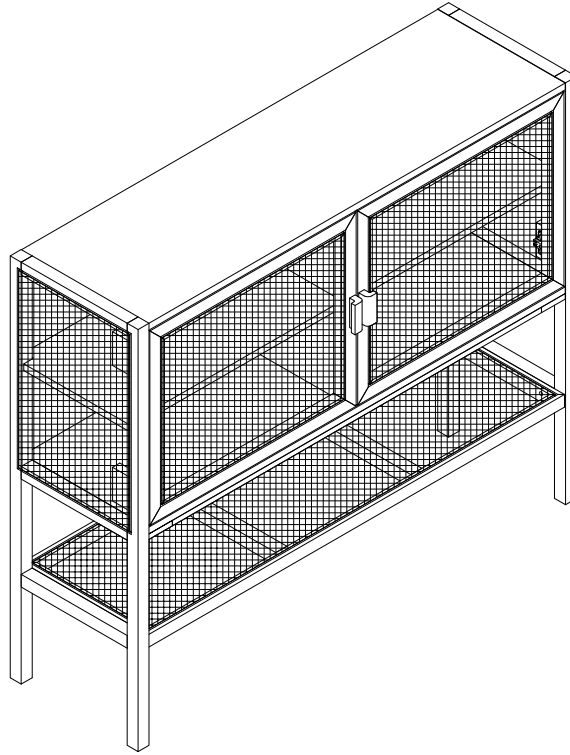


## ASSEMBLY INSTRUCTIONS

STEPS

ILLUSTRATION

11



Assembly Completed

### ASSEMBLY TIPS:

Please check parts and hardware before assembling. Follow each instruction step by step.  
Place a protective pad or piece of cardboard on the floor while assembling your item on top of it.  
Remove all parts from the carton and separate them into part numbers/groups as indicated on the part list.  
Please follow instructions in the sequence as numbered to assure fast/easy assembly.

### WARNING:

Don't attempt to repair or modify parts that are broken or defective - if you find a broken part please contact us for replacement.  
Keep all hardware parts out of the reach of children.

### FURNITURE CARE:

Following these few basic steps will help to ensure that you enjoy your furniture for a long time:  
Do not expose your furniture to direct sunlight, dampness or any heat, like a hot cup of coffee or tea. Always use a coaster.  
Excessive exposure to sunlight may cause fading.  
Excessive temperature and humidity or cold may cause cracking or splitting.  
Dust with a clean, damp, lint free cloth.  
Use a damp cloth with water or mild detergent to clean all surfaces - do not use chemicals or paint thinner which will fade the surface.  
Place a piece of felt or a pad under the legs of your furniture to avoid scratching the floor.